

MES-CK08-088-70EN-0

PREPARED: (2018-02-20)(Version 3)\*\*  
(2017-12-15)(Version 2)\*

## Instruction for Use

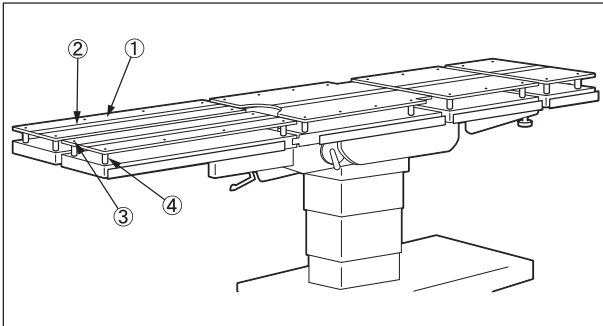
Trade Name: Radiographic Tops Fixed Type

### Contraindication / Prohibition

1. This product is only validated for use with Mizuho operating tables.
2. Do not wash this product with an ethanol-based disinfectant. Doing so may damage this product.
3. Do not stand or walk on an operating table with a radiographic top attached. Doing so may damage this product.
4. Keep the surface of a radiographic top away from sharp objects. Doing so may damage this product.

### Shape / Structure

\*\* 1. External view



Code No.	Product Description
08-089-18	Radiographic Tops for 7300 Series
** 08-089-40	Radiographic Table Tops Fixed Type for Type A
** 08-089-41	Radiographic Table Tops Fixed Type for Type AK
** 08-089-50	Digital Radiographic Table Tops Fixed Type for Type A
** 08-089-51	Digital Radiographic Table Tops Fixed Type for Type AK
** 08-089-65	Digital X-Ray Top Set 3503
** 08-089-66	Digital X-Ray Top Set 3603

### 2. Materials

- ① Cassette board: Thermosetting resin laminated board
  - ② Attachment tape: Hook and loop fastener
  - \*\* ③ Flat head screw: Cross recessed head screw
  - ④ Cassette collar: Stainless steel
- Note: The number corresponds to those used in 1. External view.

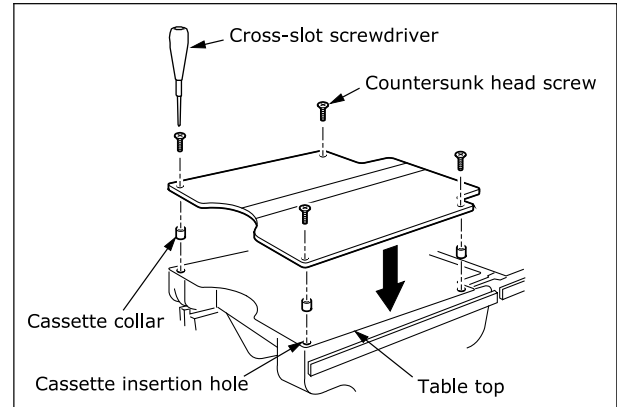
### Intended Purpose

This is an accessory to an operating table. It is attached to the table top to allow placement of X-ray film cassettes.

### Instructions for use

#### 1. Attachment

Align the collars with the cassette insertion holes on the table top and screw the radiographic top in place.

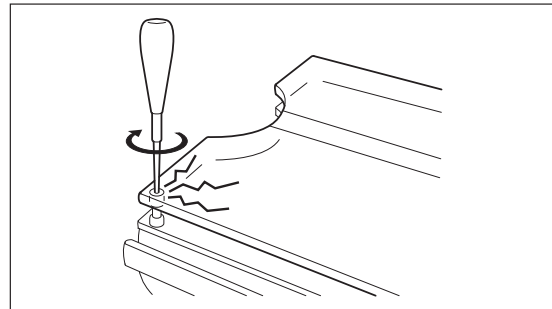


#### 2. Detachment

Loosen screws with a screwdriver and lift the radiographic top straight up.

### Caution

1. When attaching the radiographic top, do not forcibly tighten the screws. Doing so could damage the radiographic top.



2. Pinch points exist when bending the operating table. Do not insert your hand or an object into the gap between radiographic tops. Doing so may result in injury or the object getting caught and damaged.

### Storage and Shelf Life

1. Do not store the device in high temperatures or in areas with high humidity where the temperature has drastic variations.
2. Service life of this product: 7 years  
(subject to the specified maintenance and inspection and is stored properly)

### Maintenance / Inspection

1. Check that this product is not damaged or broken before and after use.
2. Cleaning and disinfection  
Wipe off blood, chemicals, contaminants, and other stains with water, and clean the device with gauze or other material moistened with alcohol to disinfect.
3. In case of a malfunction  
If you need to have this product repaired, clearly label the device as "Broken", "Need repair" etc. and contact your local dealer or Mizuho.

### Packing

1 set per package

**Matters related to warranty period**

MIZUHO Corporation will repair defective parts of this product without charge for one year from the date of delivery/installment except for cases of damage caused by a third party's repair, an act of nature, improper use or damage on purpose. All other warranty terms and conditions are subject to regulations of MIZUHO Corporation.

**\* Name and address of manufacturer**



MIZUHO Corporation  
3-30-13 Hongo, Bunkyo-ku, Tokyo 113-0033, Japan  
<http://www.mizuho.co.jp>

**\* Authorized Representative Europe**



Emergo Europe B.V.  
Prinsessegracht 20, 2514 AP, The Hague  
The Netherlands